

When Last We Met

by Denis Reid

President **Phil Laliberte** called the June meeting to order at 7:30 pm with 47 people present. **Kelly McClay** reported on the Cloverdale Wood Show, which will be held October 31 - November 2. Kelly described the sizes of the Guild's booth and the size of the Wood Show contest. He called for volunteers for the preparation and manning of these booths. **Rob Prinse** reported that the Belt Sander race track is available for the show.

Steve Fairbairn has supplied the guild with handcrafted turned pens to be presented to our guest speakers up until May 2004.

After that date, we have no new ideas or sources for speaker gifts. We would like to have a cache of gifts on hand so that we are not scrambling from month to month for donations from our members. So, the guild executive is asking members to put forth proposals for supplying more speaker gifts, to be delivered prior to June, 2004. The proposals need to be submitted within the next few months. The Guild is prepared to pay you for your materials and time, so please include a cost in your proposal. Nothing formal required, just contact the Prez or any other executive member to dis-

(Continued on page 3)

Next Meeting:

- Tuesday, Sept. 16th





Pacific Woodworkers Guild

PO Box 63071,
6020 Steveston Hwy
Richmond B.C.
V7E 2K0

Please direct
newsletter
submissions to the
newsletter editor,

The Pacific Woodworkers Guild is a non-profit association of British Columbia Craftspeople dedicated to excellence in woodworking. Guild members meet on the third Tuesday of each month (except July and August) in Richmond, B.C.

The newsletter is published monthly, ten times per year, and distributed free to members and associate members. Membership is available to anyone interested in any form of fine woodworking. Membership fees are \$25 for twelve months; Associate membership fees (newsletter only) are \$15 for ten issues.

Material published in the Newsletter may be reproduced by other non-profit associations without payment to the Guild. Material that appears in the Newsletter which has been abstracted from other sources may be subject to copyright. Credit to the Pacific Woodworkers Guild is requested where applicable.

Guild Directory

Elected Officers

<i>President</i>	Phil Laliberte
<i>Vice-President</i>	Dan Lemire
<i>Treasurer</i>	Lou Hafer
<i>Secretary</i>	Paulin Laberge
<i>Members-at-Large</i>	Paul Townsend
	Bill Fox
	Art Liestman
	Bob Bedier

Committees

<i>Newsletter -</i>	
<i>Publisher</i>	Steve Fairbairn
<i>Editor</i>	Steve Hansen
<i>Labels</i>	Lou Hafer
<i>Mailout</i>	Fred Otte
<i>Reporters</i>	Denis Reid
	Gordon Bednard
	Merv Graham
	Steve Hansen
	Derek Yee
<i>Webmaster</i>	Steve Fairbairn
<i>Entertainment/Workshops</i>	Bill Ophoff
	Derek Yee
<i>2x4 Challenge</i>	Paulin Laberge
<i>Assistants</i>	Phil Laliberte
	Mike Leahy
	John Weir
<i>Woodworking Shows</i>	Kelly McClay
	Tony Carter
	Ed Brennen
	Bill Fox
	Matt Buss
<i>Christmas Toy Workshop</i>	Denis Reid
<i>Assistant</i>	Dave Adshead
<i>Fundraising/Raffle</i>	Steve Wegwitz
<i>Assistant</i>	Bill Fox
<i>Library</i>	Bob Bedier

Next Meeting

The next meeting of the Pacific Woodworkers Guild will be held on Tuesday, September 16th starting at 7:15pm. Pre-meeting demo at 6:30.

Guest Speaker—Carl from Toys And Joys in Linden, Washington

President's Challenge—A Toy for the Christmas Bureau



When Last We Met (con't)

(Continued from page 1)

cuss it. It would be real nice to have several members come forth – thanks!

Paul Townsend and **Steve Fairbairn** have volunteered to investigate the possibility of advertising in our newsletters. The need for a Public Relations officer for the guild was discussed and an absent member was suggested for the position.

Much of the meeting's discussion was directed by a list of questions woodworkers frequently ask. This list, presented by Don McLean, led to lively discussion, both before and after the coffee break. Many available products, materials to be used and processes to follow in varied situations were discussed. See the 'June Entertainment Forum' from page 6 of the May newsletter for the list of topics. Please see related article below.

The group was reminded of the PWG Picnic to be held at **Steve Fairbairn's** property again this year. Editors note: A real fun time, with some classic highlights as in **Bob** (Steve and Deb's dog) trying to tackle one of the belt sanders racing down the track and a



real sporting **Dan Lemire** beating the bejeers out of his wooden hammer in the first, and I am sure not last, PWG Wooden Hammer Contest.

The yearly raffle was held after the coffee break and many absentee tickets were called before the prizes were awarded.

Show and Tell

John Wier displayed 3 sizes of drum sander rollers that he produces. His prototype sander collects the sawdust in the base or it can be connected to the dust collector. Call John at 604-524-5831 for rollers, bearings and plans. **Bill Ophoff** reported on a hand tool museum that he visited near Salmon Arm. **Steve Hansen** discussed his versatile aluminum plane and his acquisition of a miniature hammer containing four screwdrivers in the handle. A block of wood was passed around as the owner was seeking identification of the wood type. There were many guesses.

President's Challenge

Mario B. displayed a honey dispenser, a turned toothpick holder and a routed trivet. Phil presented a square salt and pepper shaker set with corks in the bottoms for re-filling. THE SEPTEMBER CHALLENGE is a toy.

Christmas Toy Workshops

Saturday, September 20th and Saturday, November 22nd at Bill Fox's workshop – 10 am until 2 pm. To make and assemble toys to be given to the Christmas Bureau. Come and enjoy the camaraderie and the goodies while helping a worthwhile cause. We also welcome donations from members who make toys in their home workshops.

Wood COOP

A motion was carried for the guild to join the Wood COOP (Granville Island). This will allow our members to submit sell work through this venue, assuming it passes the COOP's jury process. Phil will apply to the COOP and advise us on the process to get in the door.

June Entertainment – Forum Discussion

By Steve Hansen

For the June entertainment, we entertained ourselves by discussing various problems related to woodworking. Below are from the notes that I took.

Best shop fire extinguisher (wood/electrical)

Use an "ABC" rated extinguisher; have it checked once per year and if you have only one door and budget for one extinguisher, mount it AT THE EXIT DOOR. I know one member had suggested mounting it toward the end of a room so that in case you got caught between a fire and the exit, you could fight your way out. I contacted a friend who is a firefighter of 30 years. Please have a look at his analysis of household fire protection, elsewhere in this newsletter.

Chemical removal of rust

Wash with vinegar; rinse with water and dry – you may only get limited success with heavy rust.

Naval jelly – works, but leaves a messy deposit which itself is hard to remove. Many commercial solutions available.

Electrolysis methods exist – due to the potential danger involved in this process, the editor has decided not to post information regarding the methods. What I can say is that you should heed the safety precautions of which are, but not limited to, protection of skin and eyes, and DO NOT DO THIS INSIDE a building as electrolysis produces forms of hydrogen – remember the Hindenburg at Lakehurst!

Places to purchase wood

Neufeld Brothers Hardwoods – 1700 Cameron Road, Agassiz 604-796-0771

BC Wood Recycling - 12500 88th avenue Surrey V3W 3J9 604-596-1906, FX 604-596-2118, red and yellow cedar, rough cut, full measure, cut from recycled telephone poles.

Eco Lumber – no contact available

Mount Cheam Woodworking – 604-795-9297, by appointment only.

Bruno Lampart - 4900 Solway Rd Chilliwack V4Z 1G4 604-858-5888 Local hardwoods and softwoods, air and/or kiln dried.

Crestwood – 2731 Murray St, Port Moody, BC. V3H 1x1 – Dressed: hemlock, fir, cedar.

Vedder Mountain Hardwoods - 45425 McIntosh Drive, Chilliwack, BC, V2P 6V4, 604-792-7552. Please call first. www.veddermountainhardwoods.com

Hamm's Burlecrafter – 52845 Yale Rd. East, Rosedale. 604 794 3128

Windsor Plywood – various outlets.

P.J. White - 1200 East Kent Ave, Vancouver, B.C., V5X 2X8, 604.327.0241 www.pjwhitehardwoods.com

Reimer Hardwoods - 31135 Peardonville Rd, Abbotsford, B.C., V2T 3X8, 604 850-9281; www.reimerhardwoods.com

How to remove glue from clamps and jigs

Nothing beats a snug joint and a just a little glue. When you do get squeeze-out, vinegar should soften dry glue for cleanup.

Where can I attend classes on woodworking?

The Joint, 445 W 2nd Ave at Cambie, Vancouver. 604 877 2255

Suppliers, etc:

Jigs – Sentra; Cutting steel – Brenco; Sharpening – Quality Knife

Should you sticker wood?

Yes you should. Place small sticks under every board, no more than 4 feet apart for 2" stock and much closer for thinner material. As to how you dry it, it really depends on a lot of factors. The key to air drying is to make sure the timber dries slowly and evenly and the thicker/wider the stock, the slower it has to dry. Volumes can be written on this subject. You must consider all of the following factors in drying timber: wind, sun, the building, the timber, the dimensions, time of year, when timber was cut, leap year (just kid-

(Continued on page 5)

Fire Extinguishing – a Firefighter’s Perspective

By Ed Pretty

Editor: The following comments were compiled and edited from a series of emails that were in response to the guild’s forum discussion topic of “best fire extinguisher to use”.

Use an **ABC** type extinguisher and 5 lb would be sufficient and within reasonable budget. A large pail of baking soda (sodium bicarbonate) is almost as effective and is cheap. Get both. As far as having it checked; as long as the pressure is up, turn it over and bump it with a rubber hammer once a year and you're good to go. That's what the guy does out in the truck out of sight when he is checking it. If it has been discharged in the slightest, take it in and have it recharged as there is now powder in the seal and it **WILL** leak down. Tell them to read the instructions when they mount it. It talks about application distance and that makes a huge difference.

A very large **NEGATIVE** placing an extinguisher away from the exit door. Right by the exit door is the best spot. Placing the extinguisher at the other end would cause a person to also be the farthest away from the exit when accessing the extinguisher - or at least going the wrong way to get out while trying to access the extinguisher. Bylaws typically call for the extinguishers to be mounted by exits in commercial places for that reason. The point being, if shit happens, you will always be between the fire and the exit - not the other way around.

The aspect of "battling your way to the exit" is perhaps the notion of a layman with no experience with interior fires. Firstly, a fire extinguisher is a "first aid fire appliance" which is meant for incipient fires - read:

small fires. Such a fire would not likely block egress from the area (unless it was Murray Harris' shop - in which case it would be at the same time, both near the exit and at the far end of the shop). Secondly, if a fire is that large that it required "battling one's way to the exit" (unless one was tremendously zoned out, it would be noticed prior to that), the conditions in the room would be somewhat untenable to begin with. In other words, the extinguisher wouldn't be worth the trouble. Every good escape plan has two ways out of every room - including firefighters that just entered one for the first time: windows count.

All that being said, there is always merit in mounting multiple extinguishers in a shop. None of us have a large enough shop to technically require more (mine included), but in this case one is good and two is better. Don't forget the cheepska's suggestion of a back-up bucket of baking soda - probably available by the shovelful at Save - On and for sure at pool supply places.

Myself, I have four or five extinguishers - all by the exit. If shit happened that I was trapped in the far end, I have one particular turning tool that never was good for much else than breaking a window anyway. After that I would battle my way through the blackberries (a far more desirable scenario) to the front door, get someone to phone the FD and give it a go with the extinguishers with fresh air at my back.

More information on shop safety can be found here: <http://www.lanslide.com/fvwg/Ed%20Pretty%20Article.pdf>

“Bylaws typically call for the extinguishers to be mounted by exits”

Forum Discussion (con't)

(Continued from page 4)
ding), etc. Entire books are written on the subject. The best advice is to monitor the wood very carefully. This includes when you bring it inside to work.

Best woods for rails and stiles. Would mdf hold up for the long term?

MDF, in the opinion of the editor, is suited only for use in dampening sound applications (does not conduct sound very well due

to it's random structure) It is frequently found in speakers, even very high end units. The opinion of most woodworkers is that the material is unsuitable for bonding, screwing, withstanding abrasion, tensile strength.

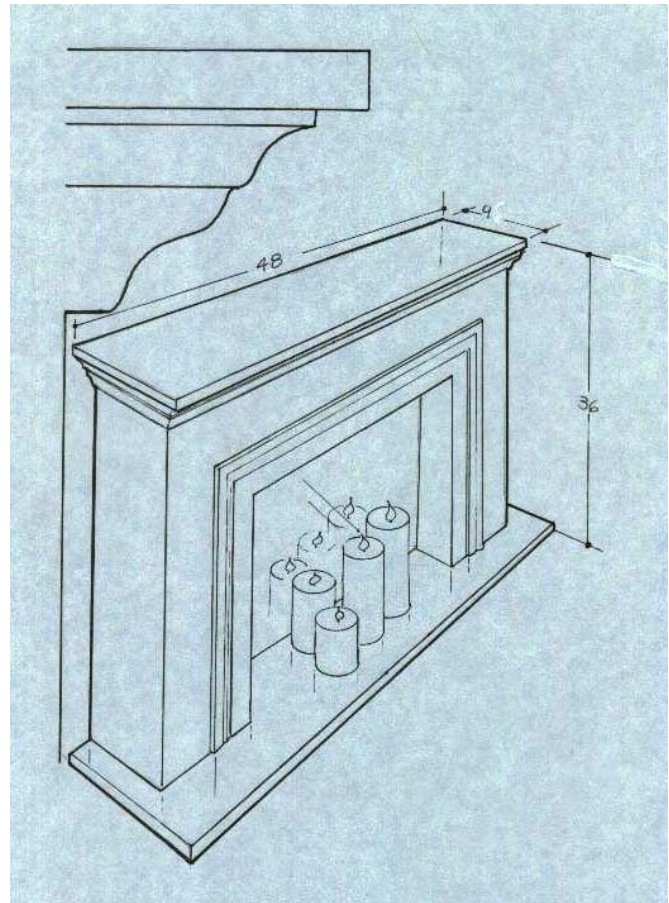
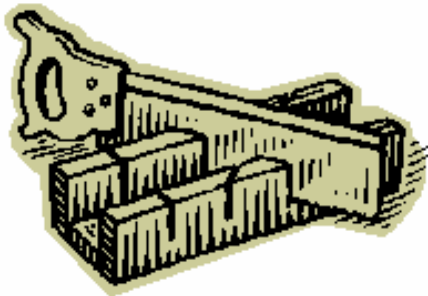
Finishing techniques for pine

Kiln dried is best for any type of timber containing a lot of pitch, like pine, because it hardens the pitch and prevents it from leaching through a finish.

Designer's Corner—Scale and Proportions

By George Radke

A focal point for a senior's apartment proved to be the answer. This fireplace mantel with candles against a reflective mirror was scaled to fit the room. The hearth base was covered in a green granite laminate. A crown molding (No.51) skirts the top, and a colonial molding (No.356) three inches away from the 26" x 24" opening adds architectural detail. Finished in flat white on a green granite laminate base with several large red candles, this mantel has the scale and proportions for a small room.



Calendar Of Events

- **October 21, 2003**—Pacific Woodworkers Guild October meeting.
- **October 31 to November 2, 2003**—Cloverdale Wood & Woodworking Show.
- **November 18, 2003**—Pacific Woodworkers Guild November meeting.
- **December 2003**—Christmas Toy Workshop
- **December 16, 2003**—Pacific Woodworkers Guild December meeting.
- **January 20, 2004**—Pacific Woodworkers Guild January meeting.
- **February 17, 2004**—Pacific Woodworkers Guild February meeting.
- **March 16, 2004**—Pacific Woodworkers Guild March meeting.
- **April 20, 2004**—Pacific Woodworkers Guild April meeting.
- **May 2004**—Richmond Carver's Show
- **May 18, 2004**—Pacific Woodworkers Guild May meeting.
- **June 15, 2004**—Pacific Woodworkers Guild June meeting.
- **August 2004**—Pacific Woodworkers Guild Picnic
- **September 21, 2004**—Pacific Woodworkers Guild September meeting.